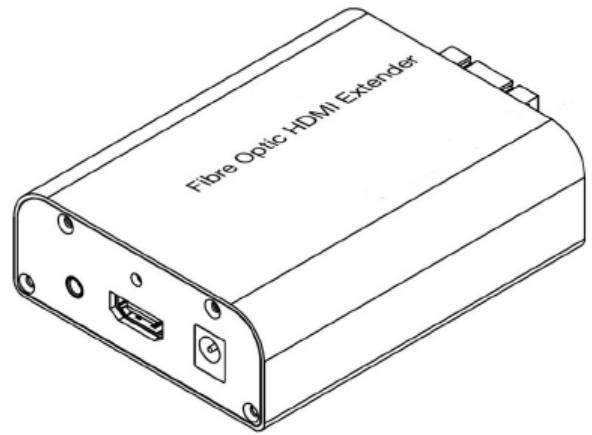


Fiber Optic HDMI Extender

The Fiber Optic HDMI Extender allows you to extend Full HD 1080p HDMI signals up to 300m using standard multimode (50/125 μ m) SC Duplex fiber cable.

As well as extending a HDMI signal, the Fiber Optic Extender can also repeat IR remote commands / signals with the use of the optional IR Repeater Kit (pin compatible with Xantech 490-30 and 282M series) allowing you to control your HDMI source whilst up to 300m away. Simply connect the IR Repeater Transmitter and Receiver to the relevant ports on the Fiber Optic Transmitter and Receiver. This functionality is provided in addition to HDMI CEC, which is also supported by this extender.



Features

- Extends HDMI or DVI signals up to 300m
- Suitable for use with Home Cinema and Computer equipment
- Uses standard, low cost, 50/125 μ m SC Duplex Multi-Mode Fiber Cable
- Auto power save mode when source device is powered off
- Auto Laser disable if fiber cable is broken or removed
- Optional IR Repeater function

Application

- Extends HDMI or DVI signals up to 300m
- Suitable for use with Home Cinema and Computer

Specification

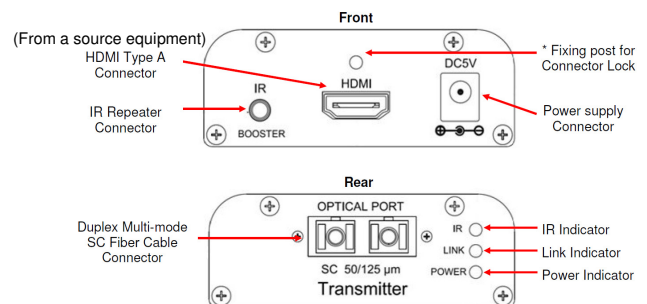
- 7.8Gbps Total Bandwidth over Single 2-core Fiber Optic Cable Link
- HDMI 1.3 Based ※
- Supported resolutions: 720x576i/p, 1024x768, 1280x720i/p, 1280x960, 1280x1024, 1600x1200, 1920x1080i/p, 1920x1200
- Supported audio: multi-channel including DTS-HD, Master Audio, Dolby Digital Plus, Dolby TrueHD
- Deep Color capable: supports 24/30/36 bit color depth
- Maximum fiber cable length 300m
- Maximum HDMI cable length up to 3m in and out
- Supports HDCP 1.1
- Supports DVI 1.0
- Dimensions: 107mm x 75mm x 29mm (LxWxH)

※Some functions of HDMI1.4 are available.
For detail, please feel free to contact us.

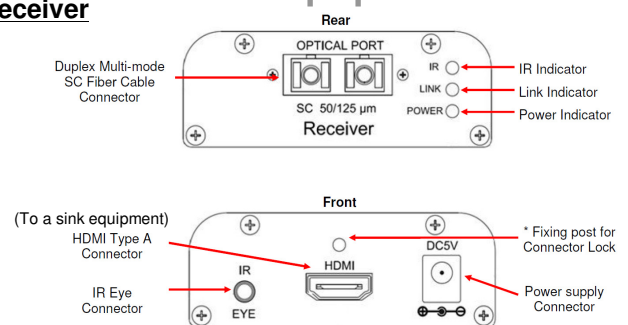
Package Contents

- Fiber Optic HDMI Extender (1 x Transmitter, 1 x Receiver)
- Multi-Country Power Adapter (5V DC) x 2
- User Manual

Transmitter



Receiver



www.santec.com E-Mail : sales@santec.com

2008 © SANTEC CORPORATION Santec reserves the right to make changes in equipment design, components or specifications without notice.



SANTEC CORPORATION

5823 Ohkusa-Nenjoyzaka, Komaki, Aichi 485-0802, Japan Tel.+81-568-79-1959 Fax+81-568-79-1718

SANTEC U.S.A. CORPORATION

433 Hackensack Ave., Hackensack, NJ 07601, U.S.A. Toll Free +1-800-726-8321(santec-1) Tel.+1-201-488-5505 Fax +1-201-488-7702

SANTEC EUROPE LIMITED

Magdalen Centre, Robert Robinson Ave., The Oxford Science Park, Oxford OX4 4GA, U.K. Tel. +44-1865-784960 Fax +44-1865-784961

SANTEC (SHANGHAI) Co., Ltd.

No.800 Zhangyang Road Changhang Tower, Pudong District, Shanghai 200122 China Tel:+86-21-58361261, +86-21-58361262 Fax:+86-21-58361263

HDMlxt-C-E-1.1 CODE-200904-NK-NK-CPY