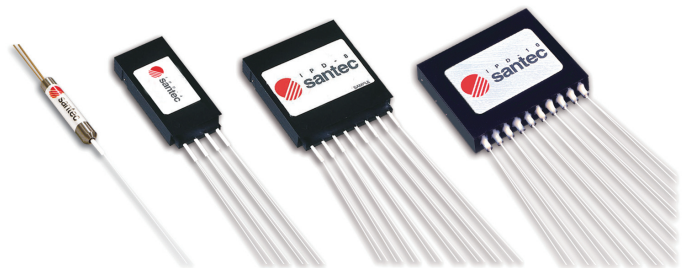


# Unidirectional Tap-Integrated Photo Detector IPD-UD

Santec's Unidirectional Tap-Integrated Photo Detector is an optical power monitoring device consisting of individual tap-integrated photo detectors. The IPD is very compact and is easily mounted on a PCB for system use. Optical properties are excellent and include a broad wavelength range covering C and L-band with low insertion loss and high sensitivity.

The IPD eliminated the need for an optical fiber coupler/splitter and a photo detector. The IPD provides a simple and low cost solution for optical power monitoring at DWDM and switch. Especially Santec's Unidirectional Tap-Integrated Photo Detector is useful for amplifier systems.



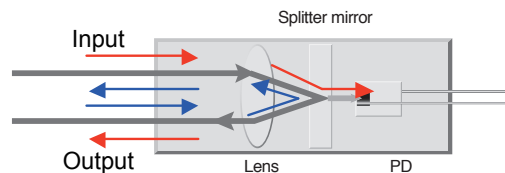
## Features

- ▶ Excellent Characteristics
- ▶ High Directivity
- ▶ Compact Design
- ▶ Custom to Build Available
- ▶ Minimum Fiber Bending Radius of 5mm is available
- ▶ High Quality (GR-468-CORE Qualified)
- ▶ RoHS Compliant

## Applications

- ▶ Power and Channel Monitoring for WDM
- ▶ Power Control Monitoring for Amplifier
- ▶ Optical Monitoring for Switching Systems
- ▶ Supervisory for Equipment Systems

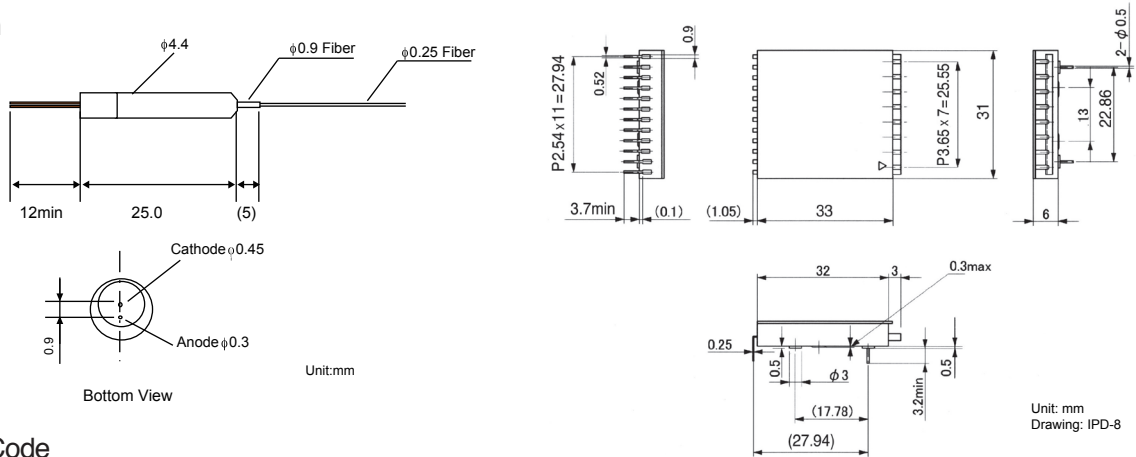
## Dimension



## Specifications

Parameter	Unit		Type					Notes
			U1	U2	U3	U5	U9	
Insertion Loss	Max.	dB	0.5	0.5	0.5	0.6	0.8	w/o connectors
Directivity	Min.	dB	25					Standard
	Min.	dB	33					High Directivity
Return Loss	Min.	dB	45					-
PD Sensitivity	-	mA/W	8 to 20	14 to 24	20 to 40	40 to 70	70 to 120	All Operating Conditions, 5V Bias
Dark Current	Max.	nA	5					70°C, 5V Bias
Reverse Voltage	Max.	V	10					-
Forward Current	Max.	mA	5					-
Wavelength Range	-	nm	1510 to 1610					-
Storage Temperature Range	-	°C	-40 to 85					Non-condensation
Operating Temperature Range	-	°C	0 to 70					Non-condensation
Input Optical Power	Max.	dBm	+23	+20	+18	+16	+13	-
Fiber Length	Min.	mm	1000+/-100					0.25mm coating SMF
Dimension	-	mm	4.4(D)x25(L)					IPD-1, 2PIN
			17.5x32x6					IPD-4
			31x32x6					IPD-8
			39x32x6					IPD-10

## Dimension



## Ordering Code

### IPD - A - B - C - D - E

#### A=Channel

1=1ch, 4=4ch, 8=8ch, 10=10ch

#### B=Type (See Specifications)

U1, U2, U3, U5, U9

#### C=Connector

00 =No Connector

FS=FC-SPC, FA=FC-APC, SS=SC-SPC, SA=SC-APC,

MU=MU-SPC, MJ=MUJ-SPC, LC=LC-SPC

#### D=Pin Assignment

Single Type: 2P=2pinPD

Array Type: AC=Anode Common, CC=Cathode Common, SE=Pin Separate (IPD-4 Only)

#### E=Directivity Type

Standard Directivity Type: SD

High Directivity Type: HD

www.santec.com E-Mail : sales@santec.com



#### SANTEC CORPORATION

5823 Ohkusa-Nenjyozaka, Komaki 485-0802, Japan Tel.+81-568-79-1959 Fax +81-568-79-1718

#### SANTEC U.S.A. CORPORATION

433 Hackensack Ave., Hackensack, NJ, 07601, U.S.A. Toll Free +1-800-726-8321 (santec-1) Tel.+1-201-488-5505 Fax +1-201-488-7702

#### SANTEC EUROPE LIMITED

Magdalen Centre, Robert Robinson Ave., The Oxford Science Park, Oxford OX4 4GA, U.K. Tel.+44-1865-784960 Fax +44-1865-784961

#### SANTEC (SHANGHAI) Co., Ltd.

No.800 Zhangyang Road Changhang Tower, Pudong District, Shanghai 200122 China Tel: +86-21-58361261, +86-21-58361262 Fax: +86-21-58361263