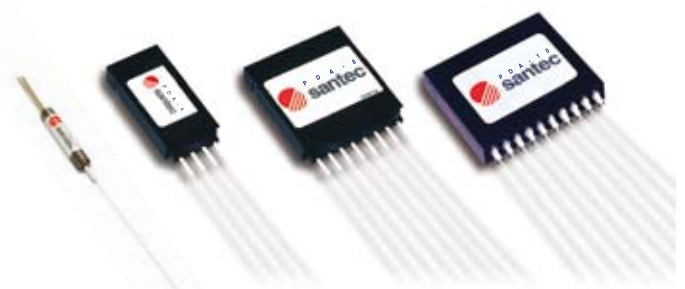


Fiber-Pigtailed Photo Detector PDA

The PDA is an optical power monitoring device consisting of terminating photo detectors that are integrated with fiber inputs. The PDA is very compact and is easily mounted on PCB for system use.

The PDA provides a simple and low cost solution for power monitoring at DWDM and amplifier systems.



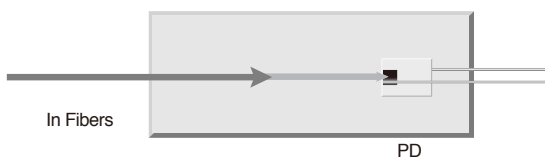
Features

- ▶ High Quality (GR-468-CORE Qualified)
- ▶ Excellent Characteristics
- ▶ Compact Design

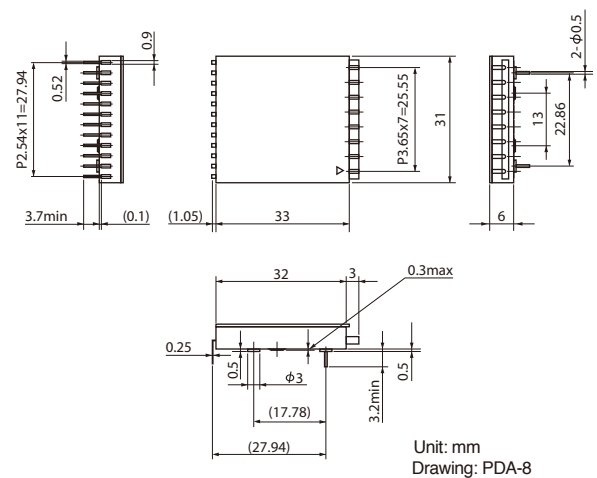
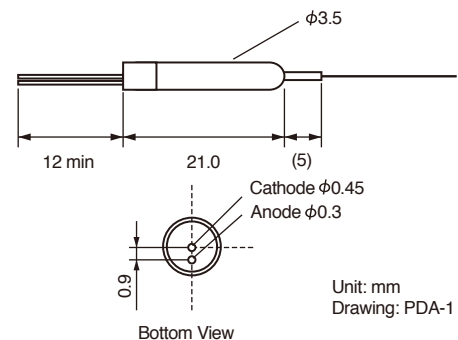
Applications

- ▶ Power and Channel Monitoring for WDM Systems
- ▶ Power Monitoring in any optical communications

Configuration



Dimensions



■ Specifications

Parameter	Unit		Specifications	Notes
Return Loss	Min.	dB	45	-
PD Sensitivity	Min.	mA/W	800	All operating conditions, 5V bias
Dark Current	Max.	nA	5	70°C, 5V bias
Reverse Voltage	Max.	V	10	-
Forward Current	Max.	mA	5	-
Wavelength Range	-	nm	1510 to 1610	-
Storage Temperature Range	-	°C	-40 to 85	RH: 85%(Max.), Non-condensation
Operating Temperature Range	-	°C	0 to 70	RH: 85%(Max.), Non-condensation
Input Optical Power	Max.	dBm	+3	-
Fiber Length	Min.	mm	1000	0.25mm coating SMF
Dimension	-	mm	3.5(D) x 21(L)	PDA-01
			17.5 x 32 x 6	PDA-04
			31 x 32 x 6	PDA-08
			39 x 32 x 6	PDA-10

■ Ordering Code

PDA - A - B - C

A=Channel

01=1ch, 04=4ch, 08=8ch, 10=10ch

B=Connector

00=No Connector

FS=FC-SPC, FA=FC-APC, SS=SC-SPC, SA=SC-APC,

MU=MU-SPC, MJ=MUJ-SPC, LC=LC-SPC

C=Pin Assignment

Single Type: 2P=2pinPD

Array Type: AC=Anode Common, CC=Cathode Common, SE=Pin Separate (PDA-04 Only)

www.santec.com E-Mail : sales@santec.com

2005 © SANTEC CORPORATION Santec reserves the right to make changes in equipment design, components or specifications without notice.



SANTEC CORPORATION

5823 Ohkusa-Nenjyozaka, Komaki, Aichi 485-0802, Japan Tel.+81-568-79-1959 Fax +81-568-79-1718

SANTEC U.S.A. CORPORATION

433 Hackensack Ave., Hackensack, NJ, 07601, U.S.A. Toll Free +1-800-726-8321 (santec-1) Tel.+1-201-488-5505 Fax +1-201-488-7702

SANTEC EUROPE LIMITED

Magdalen Centre, Robert Robinson Ave., The Oxford Science Park, Oxford OX4 4GA, U.K. Tel. +44-1865-784960 Fax +44-1865-784961

SANTEC (SHANGHAI) Co., Ltd.

No.800 Zhangyang Road Changhang Tower, Pudong District, Shanghai 200122 China Tel: +86-21-58361261, +86-21-58361262 Fax: +86-21-58361263