

Add and Drop Module ADM-15

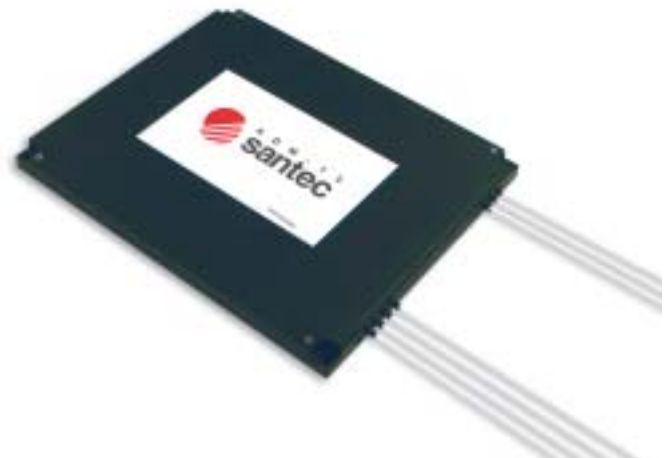
The ADM-15 is a single channel Add/Drop module based on dielectric thin-film filter technology. The 4-port module can be supplied for systems with either 100, 200 or 400GHz ITU grid spacing. The device boasts excellent optical properties, achieving high isolation with low loss, and is packaged to ensure long-term stability and reliability. Devices for both the C and L-bands are available.

Features

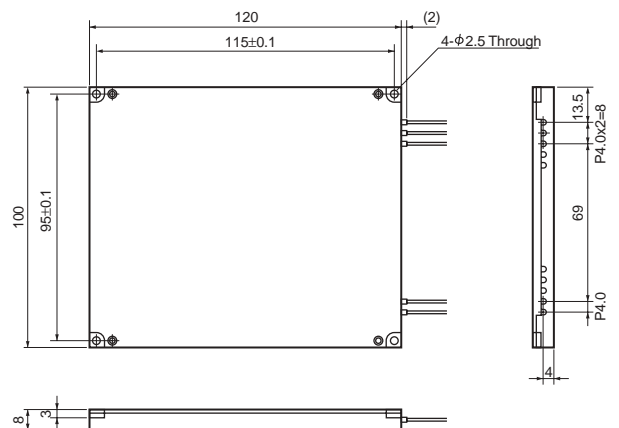
- ▶ Low insertion loss
- ▶ High channel isolation
- ▶ Extremely low PDL (0.2 dB max.)
- ▶ High reliability (Telcordia GR-1221 qualified)

Applications

- ▶ DWDM channel add / drop multiplexing
- ▶ DWDM band splitter / combiner



Dimensions



■ Typical Performance

Parameter	Units		100 GHz	200 GHz	400 GHz	Notes
Center Wavelength	-	nm	1550 nm window, ITU grid wavelengths			C or L band available from center wavelength
Passband (@-0.5 dB Bandwidth)	Min.	nm	± 0.11	± 0.20	± 0.25	
Flatness	Max.	dB	0.4			
Insertion Loss (without connectors)						
Input-Drop	Max.	dB		1.5		
Add-Output	Max.	dB		1.5		
Input-Output	Max.	dB		1.0		
Isolation						
Input-Drop (Adjacent)	Min.	dB	25	30	30	
Input-Drop (Non-Adjacent)	Min.	dB	40	40	40	
Add-Output (Adjacent)	Min.	dB	12	13	13	
Add-Output (Non-Adjacent)	Min.	dB	-	-	-	
Input-Output (Express Channel Isolation)	Min.	dB	22	23	23	
Thermal Stability (Wavelength)	Typ.	nm/°C	< 0.001			-5 to +70
Directivity	Min.	dB	50			
Return Loss	Min.	dB	45			
Polarization Dependent Loss (PDL)	Max.	dB	0.15			
Polarization Mode Dispersion (PMD)	Max.	ps	0.1			
Optical Power	Max.	dBm	23			
Operating Temperature	-	°C	-5 to +70			
Storage Temperature	-	°C	-40 to 85			

- *1 All parameters are specified over operating temperature range.
- *2 Insertion loss per filter includes Ripple and PDL, without connectors.
- *3 Please contact Santec to discuss specific performance requirements.

■ Ordering Code

ADM-15-A-B-C-D/E

A=Channel
2=2ch

B=Type
10A0=100GHz Add / 10D0:100GHz Drop / 20A0:200GHz Add
20D0=200GHz Drop / 40A0:400GHz Add / 40D0:400GHz Drop

C=Fiber Length
10=1.0m, 20=2.0m

D=Connector
00=No Connector, FS=FC-SPC, FA=FC-APC, SS=SC-SPC, SA=SC-APC
MU=MU-SPC, MJ=MUJ-SPC, LC=LC-SPC

E=Center Wavelength
(ex) 1552.52nm --->1552.52

www.santec.com E-Mail : sales@santec.com

2005 © SANTEC CORPORATION Santec reserves the right to make changes in equipment design, components or specifications without notice.

July 27, 2005



SANTEC CORPORATION
5823 Ohkusa-Nenjoyozaka, Komaki, Aichi 485-0802, Japan Tel. +81-568-79-1959 Fax +81-568-79-1718

SANTEC U.S.A. CORPORATION
433 Hackensack Ave., Hackensack, NJ, 07601, U.S.A. Toll Free +1-800-726-8321 (santec-1) Tel. +1-201-488-5505 Fax +1-201-488-7702

SANTEC EUROPE LIMITED
Magdalen Centre, Robert Robinson Ave., The Oxford Science Park, Oxford OX4 4GA, U.K. Tel. +44-1865-784960 Fax +44-1865-784961

SANTEC (SHANGHAI) Co., Ltd.
No.800 Zhangyang Road Changhang Tower, Pudong District, Shanghai 200122 China Tel: +86-21-58361261, +86-21-58361262 Fax: +86-21-58361263