

MEMS Attenuator MOVA-1 / 8

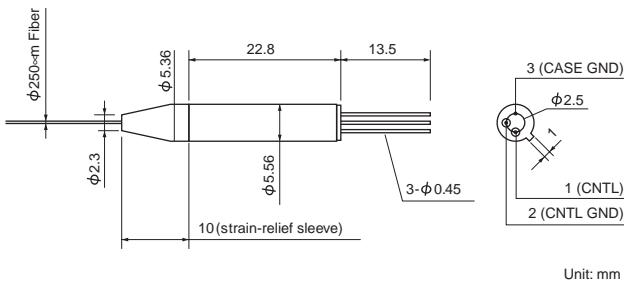
Santec's MEMS (Micro Electro Mechanical Systems) based attenuator uses tilting mirror technology. Our MEMS technology is simple and unique MEMS mirror structure* for high yield chip production and stable operation as variable optical attenuator. Coupled with laser-welded packaging, this provides both environmental reliability and operational stability design with excellent optical properties. 8 channels array type is compact package and any drive voltage range can be customized as option.

* Patent pending

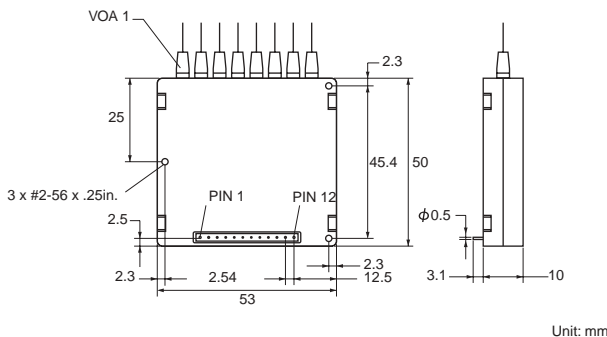


Mechanical Dimensions

Single



8ch array



MOVA-8 Pin Assignment

Pin#	Function	Pin#	Function
1	Vcc	7	Ch5
2	Ch1	8	GND
3	Ch2	9	Ch6
4	GND	10	Ch7
5	Ch3	11	GDN
6	Ch4	12	Ch8

Features

- ▶ Low Loss, Low PDL
- ▶ Fast Response
- ▶ Low Power Consumption
- ▶ Compact package
- ▶ Proprietary Stiction-free Structure
- ▶ Excellent Anti-shock/vibration performance
- ▶ Broadband type available
- ▶ 1x1 switch available
- ▶ Bright and Dark type available
- ▶ Telcordia GR-1221, GR-63 qualified
- ▶ Custom operating voltage range (8ch array type)

Applications

- ▶ Optical Power Management
- ▶ WDM Channel Equalization
- ▶ Gain Control for Amplifiers
- ▶ Overload Protection

■ Specifications *1,2

Parameter	Unit		Spec	Note
Wavelength range	-	nm	1530 - 1570 1570 - 1610	C band L band
Insertion loss	Max.	dB	0.8	@0V *3
Max. attenuation	Min.	dB	30	
Shutter isolation *4	Min.	dB	40	
WDL *5	Max.	dB	0.5 1.2	@<10dB attn. @<20dB attn.
PDL	Max.	dB	0.3	@20dB attn.
PMD	Max.	psec	0.1	
Response time	Max.	msec	10	
Optical power handling	Min.	mW	300	
Driver voltage	-	V	<20	Voltage conversion circuit available
Operating temperature	-	°C	-5 to 70	
Power consumption	Max.	mW	<10	

*1 All specifications referenced without connectors in C or L band.

*2 Relative to 25°C.

*3 Dark type: >30dB@0V bias is available as option.

*4 With shutter option.

*5 Broad-band option.

■ Ordering Code

MOVA-1
MOVA-8

A - B - C - D - E - F - G - H

H : Connector Polish :
0 : None / **S** : SPC / **A** : APC (Angled PC)

G : Connector Type :
00 : None / **FC** : FC / **SC** : SC / **LC** : LC / **MU** : MU

F : Fiber Length : **10** : 1.0 m

E : Fiber Jacket : **02** : 0.25mm / **09** : 0.9mm loose tube

D : Shutter : **0** : None / **1** : With shutter

C : Control Voltage : **V20** : 20V type

B : Type : **BB** : Broad band / **NB** : Narrow band / **SW** : 1x1 switch

A : Activation Type : **B** : Bright type / **D** : Dark type

www.santec.com E-Mail : sales@santec.com

2005 © SANTEC CORPORATION Santec reserves the right to make changes in equipment design, components or specifications without notice.

April 25, 2005



SANTEC CORPORATION

5823 Ohkusa-Nenjyozaka, Komaki, Aichi 485-0802, Japan Tel. +81-568-79-1959 Fax +81-568-79-1718

SANTEC U.S.A. CORPORATION

433 Hackensack Ave., Hackensack, NJ, 07601, U.S.A. Toll Free +1-800-726-8321 (santec-1) Tel. +1-201-488-5505 Fax +1-201-488-7702

SANTEC EUROPE LIMITED

Magdalen Centre, Robert Robinson Ave., The Oxford Science Park, Oxford OX4 4GA, U.K. Tel. +44-1865-784960 Fax +44-1865-784961

SANTEC (SHANGHAI) Co., Ltd.

No.800 Zhangyang Road Changhang Tower, Pudong District, Shanghai 200122 China Tel: +86-21-58361261, +86-21-58361262 Fax: +86-21-58361263