

CWDM Mux/ Demux Filter
Metro-X

The CWDM Mux / Demux module is based on dielectric thin-film technology designed for integration in low cost Metro and Access networks. These include applications such as fiber to the home, business or curb. The module enables 4 or 8 channels to be either combined (added) or separated (dropped). The filters operate with a channel spacing of 20nm corresponding to standard CWDM wavelengths. Santec's CWDM module has low insertion loss, high channel isolation, flat passband. Additional filters, to enable cascading of devices, or addition of 1310nm or other wavelength, can also be included in the module.

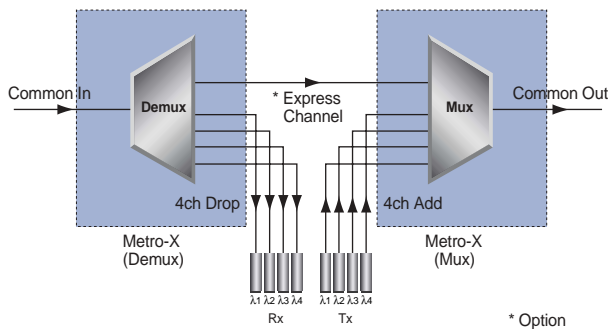
Features

- ▶ Wide Operation Range: 1290-1350nm, 1470- 1610nm
- ▶ Low Insertion Loss: (Mux and Demux)
- ▶ Wide Pass Band
- ▶ High Channel Isolation
- ▶ Operating Temperature: -10 to 70°C
- ▶ Long Term Reliability
- ▶ Telcordia-GR-1221 Qualified

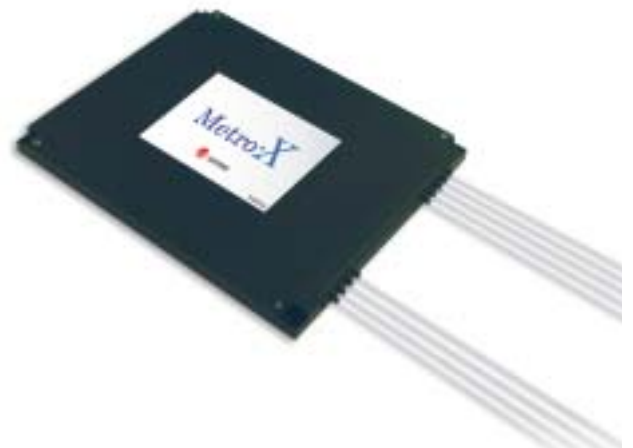
Applications

- ▶ Optical Add Drop Multiplexer
- ▶ Metro/Access Network system
- ▶ FTTH & FTTC
- ▶ CATV Applications

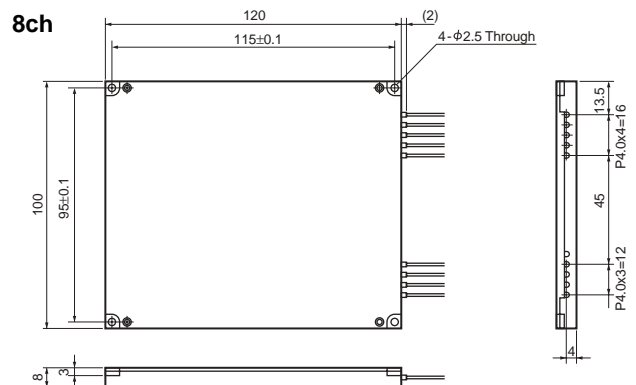
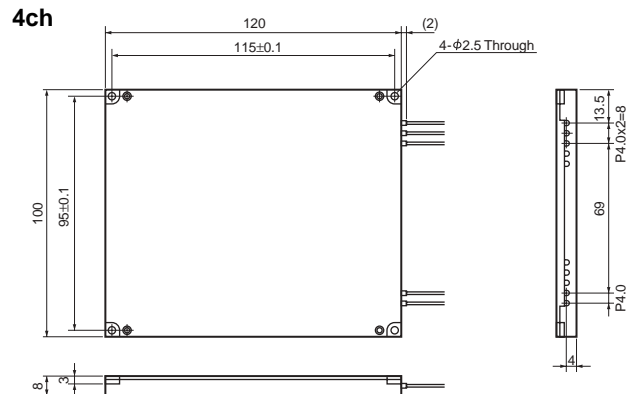
Configuration



Typical OADM Configuration



Dimensions



■ Typical Performance

Specification	Units	Condition	Min.	Max.
Wavelength range	nm	20nm channel spacing	-	-
Operating temperature	°C	-	-10	70
Insertion loss (Mux)	dB	@ $\lambda_c \pm 6.5\text{nm}$	-	1.4 (4ch)
			-	2.6 (8ch)
Link loss (Demux)	dB	@ $\lambda_c \pm 6.5\text{nm}$	-	1.7 (4ch)
			-	2.9 (8ch)
Insertion loss (Mux and Demux)	dB	@ $\lambda_c \pm 6.5\text{nm}$	-	2.5 (4ch)
			-	3.7 (8ch)
Flatness	dB	@ $\lambda_c \pm 6.5\text{nm}$	-	0.4
Adjacent channel isolation (Demux)	dB	@ $\lambda_c \pm 13.5\text{nm}$	30	-
Non-adjacent channel isolation (Demux)	dB	@ $\lambda_c \pm 33.5\text{nm}$	45	-
Directivity	dB	-	45 (Mux) / 55 (DeMux)	
PDL	dB	@center wavelength: λ_c	-	0.2
Return loss	dB	-	50	-

- *1 All parameters are specified over operating temperature range.
- *2 Insertion loss per filter includes Ripple and PDL, without connectors.
- *3 Please contact Santec to discuss specific performance requirements.

■ Wavelength

1291nm	1311nm	1331nm	1351nm
--------	--------	--------	--------

1471nm	1491nm	1511nm	1531nm	1551nm	1571nm	1591nm	1611nm
--------	--------	--------	--------	--------	--------	--------	--------

■ Ordering Code

Metro-X-15-A-B-C-D/E

A=Channel

3=3ch, 4=4ch, 7=7ch, 8=8ch

B=Type

M=Mux, D=DeMux

1=Standard, 2=Upgradable, 5=Low Loss

C=Fiber Length

10=1.0m, 20=2.0m

D=Connector

00=No Connector, FS=FC-SPC, FA=FC-APC, SS=SC-SPC, SA=SC-APC

MU=MU-SPC, MJ=MUJ-SPC, LC=LC-SPC

E=Center Wavelength

(ex) 1571nm --->1571

www.santec.com E-Mail : sales@santec.com

2005 © SANTEC CORPORATION Santec reserves the right to make changes in equipment design, components or specifications without notice.

July 27, 2005



SANTEC CORPORATION

5823 Ohkusa-Nenjoyozaka, Komaki, Aichi 485-0802, Japan Tel. +81-568-79-1959 Fax +81-568-79-1718

SANTEC U.S.A. CORPORATION

433 Hackensack Ave., Hackensack, NJ, 07601, U.S.A. Toll Free +1-800-726-8321 (santec-1) Tel. +1-201-488-5505 Fax +1-201-488-7702

SANTEC EUROPE LIMITED

Magdalen Centre, Robert Robinson Ave., The Oxford Science Park, Oxford OX4 4GA, U.K. Tel. +44-1865-784960 Fax +44-1865-784961

SANTEC (SHANGHAI) Co., Ltd.

No.800 Zhangyang Road Changhang Tower, Pudong District, Shanghai 200122 China Tel: +86-21-58361261, +86-21-58361262 Fax: +86-21-58361263